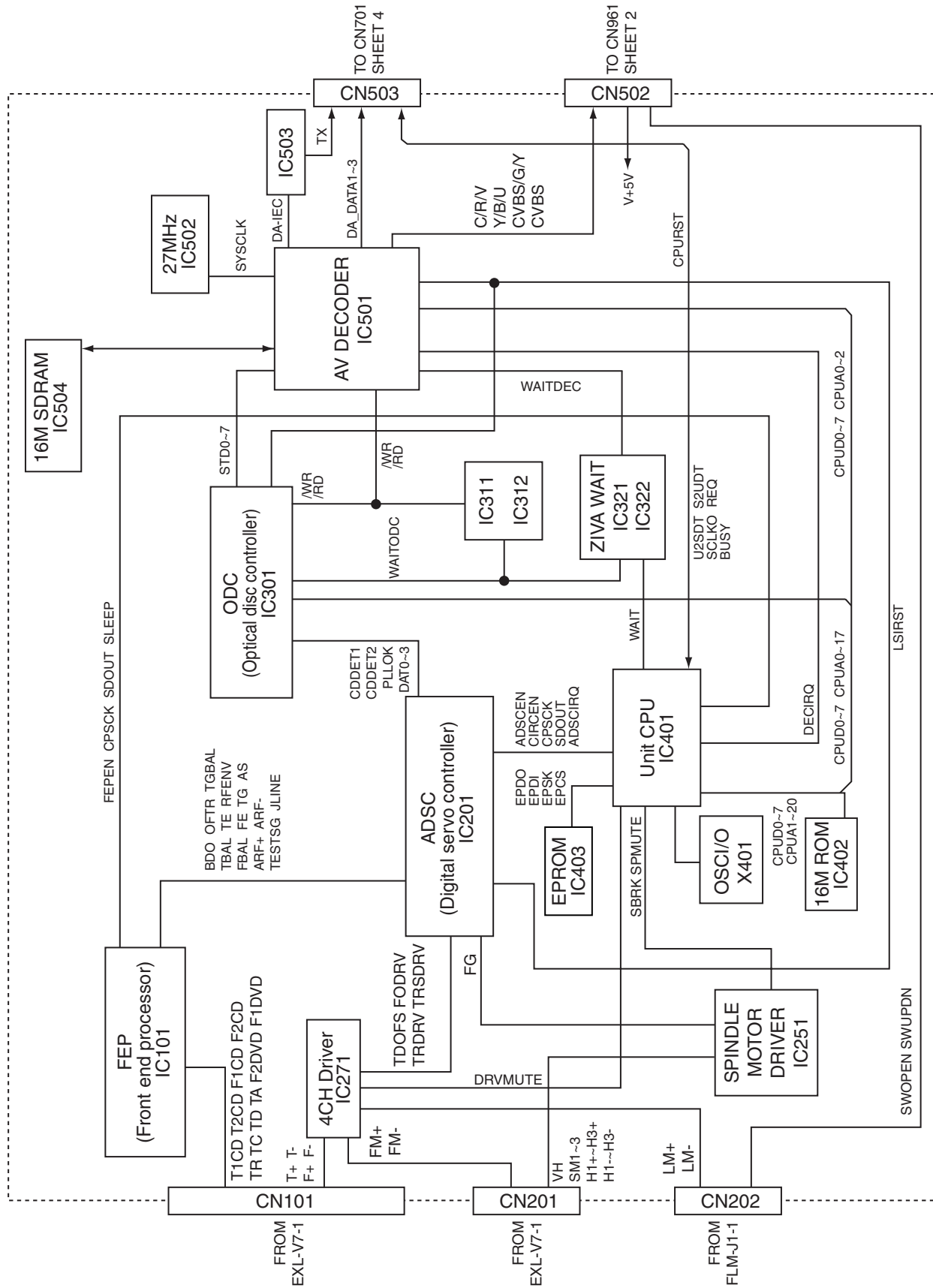


Safety precaution

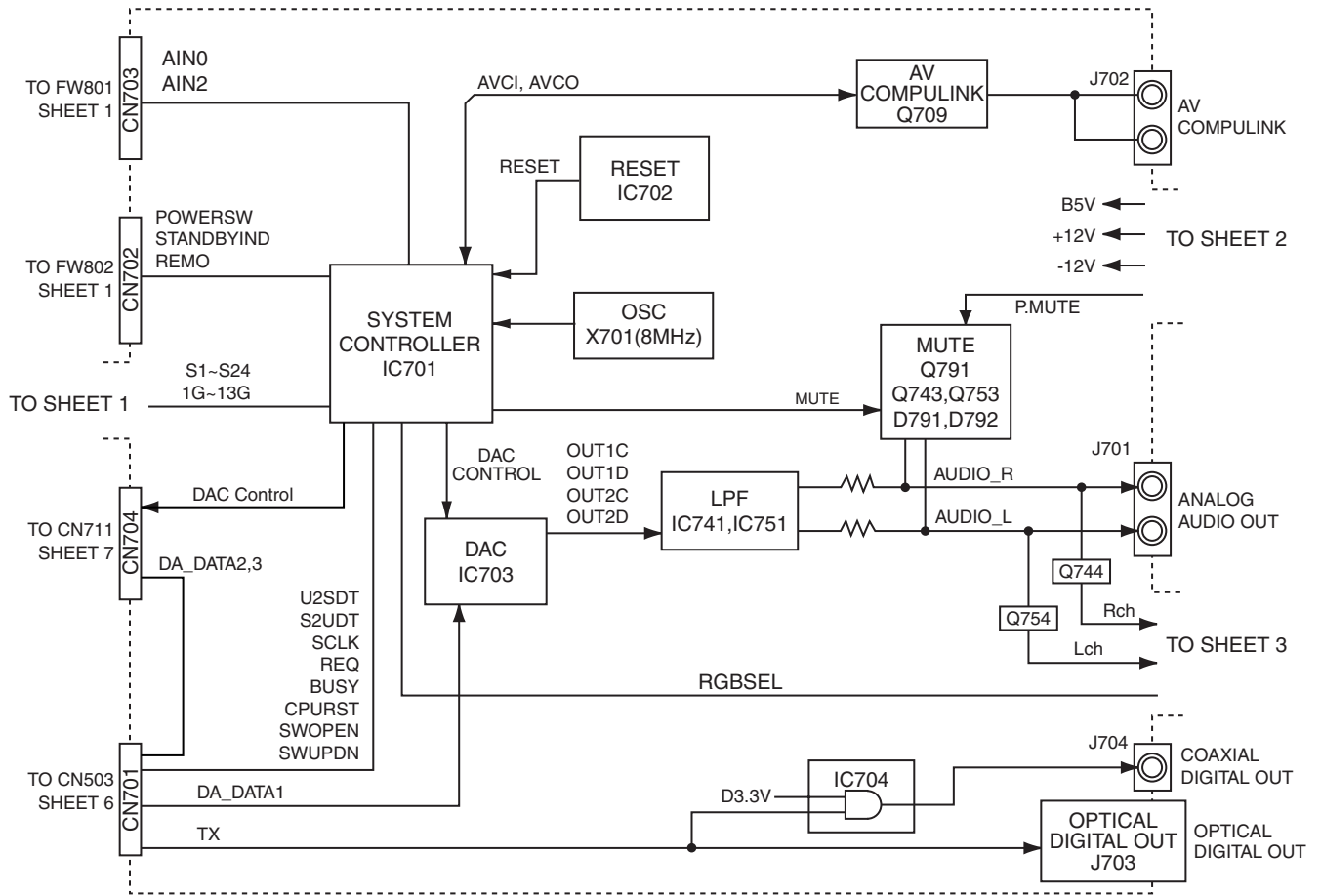
In regard with component parts appearing on the silk-screen printed side (parts side) of the PWB diagrams, the parts that are printed over with black such as the resistor (■), diode (▣) and ICP (●) or identified by the "△" mark nearby are critical for safety. When replacing them, be sure to use the parts of the same type and rating as specified by the manufacturer. (Except the JC version)

Block diagrams

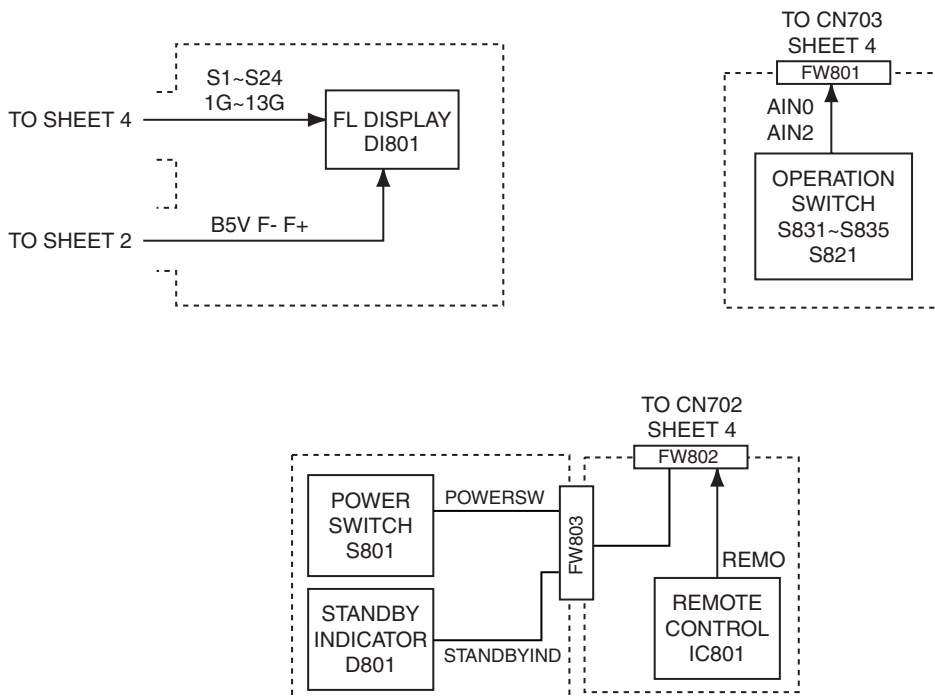
■ DVD Servo control & AV decoder section(SHEET 5,6)



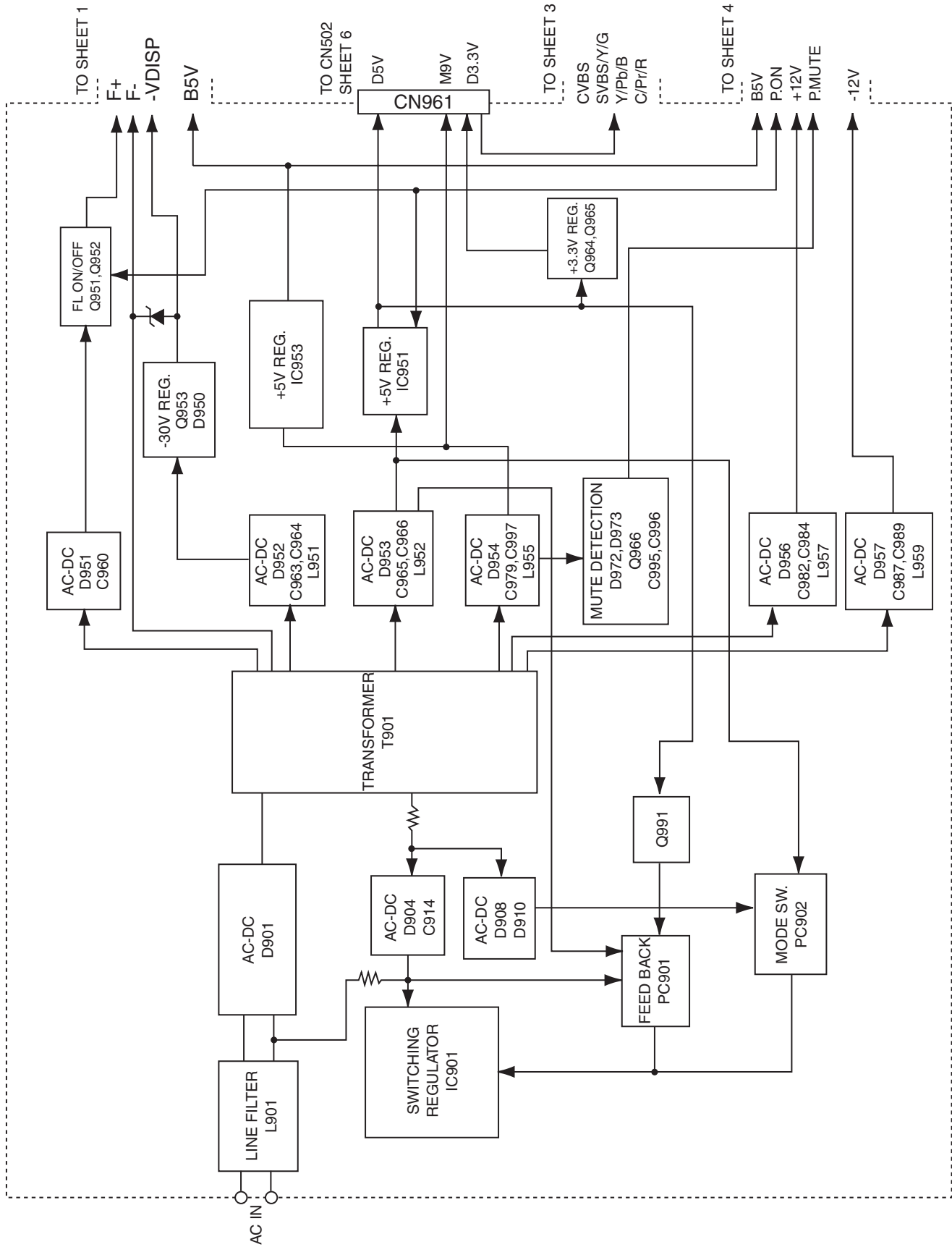
■ System control & audio output section(SHEET 4)



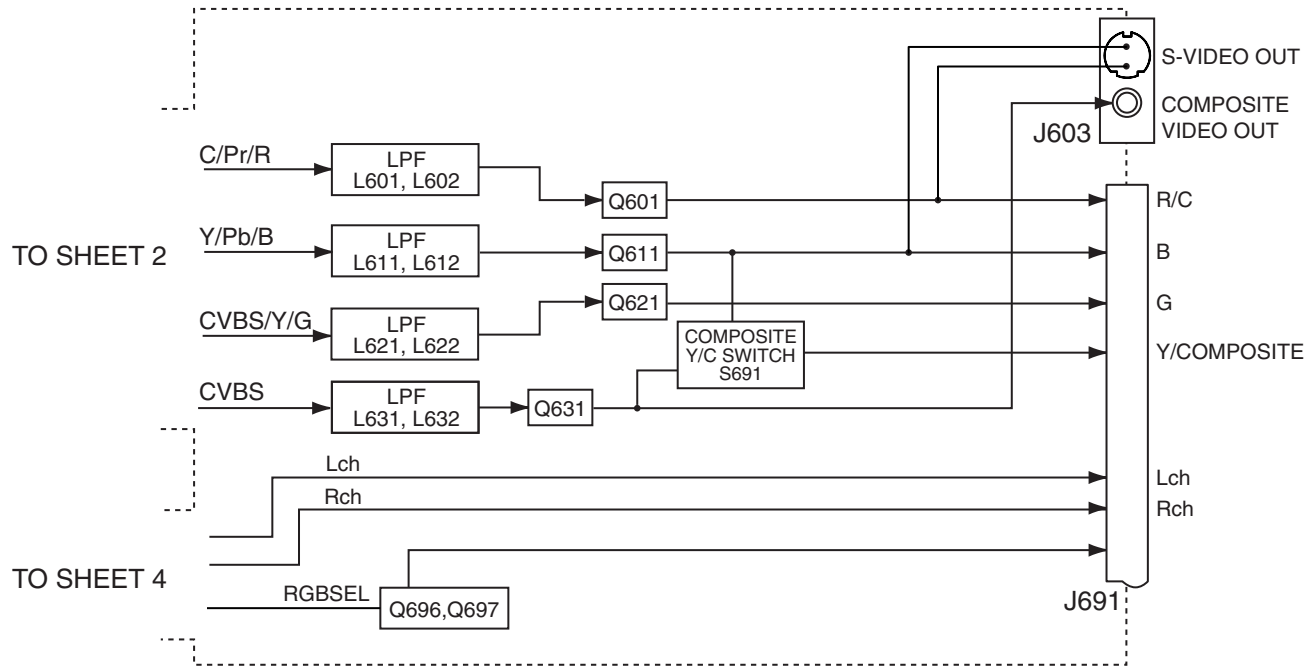
■ FL Display & Operation switch section(SHEET 1)



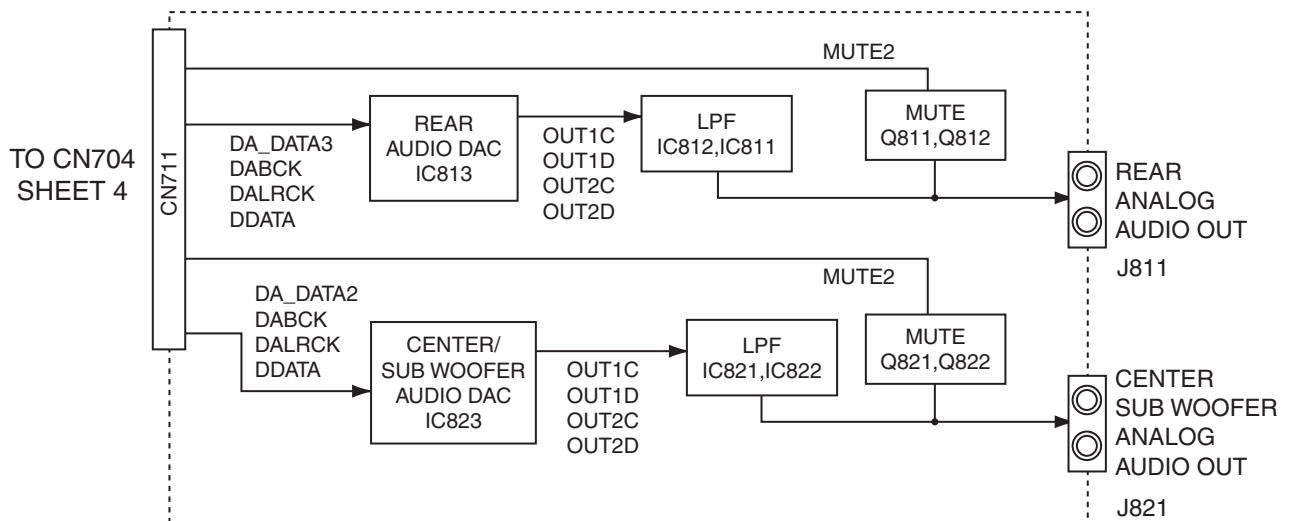
■ DC Regulator section (SHEET 2)



■ Audio & Video signal output section(SHEET 3)

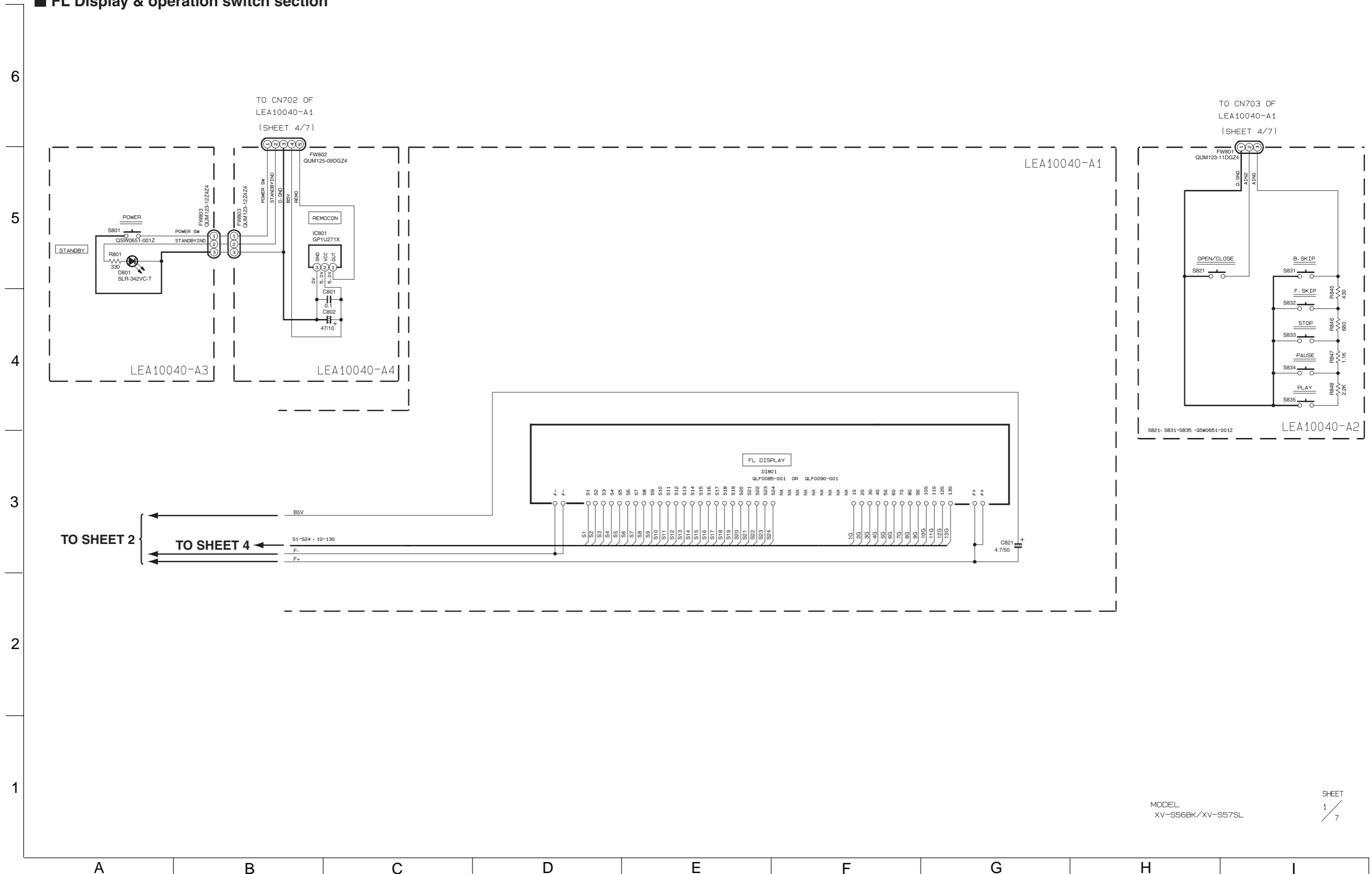


■ Surround audio signal output section (SHEET 7)

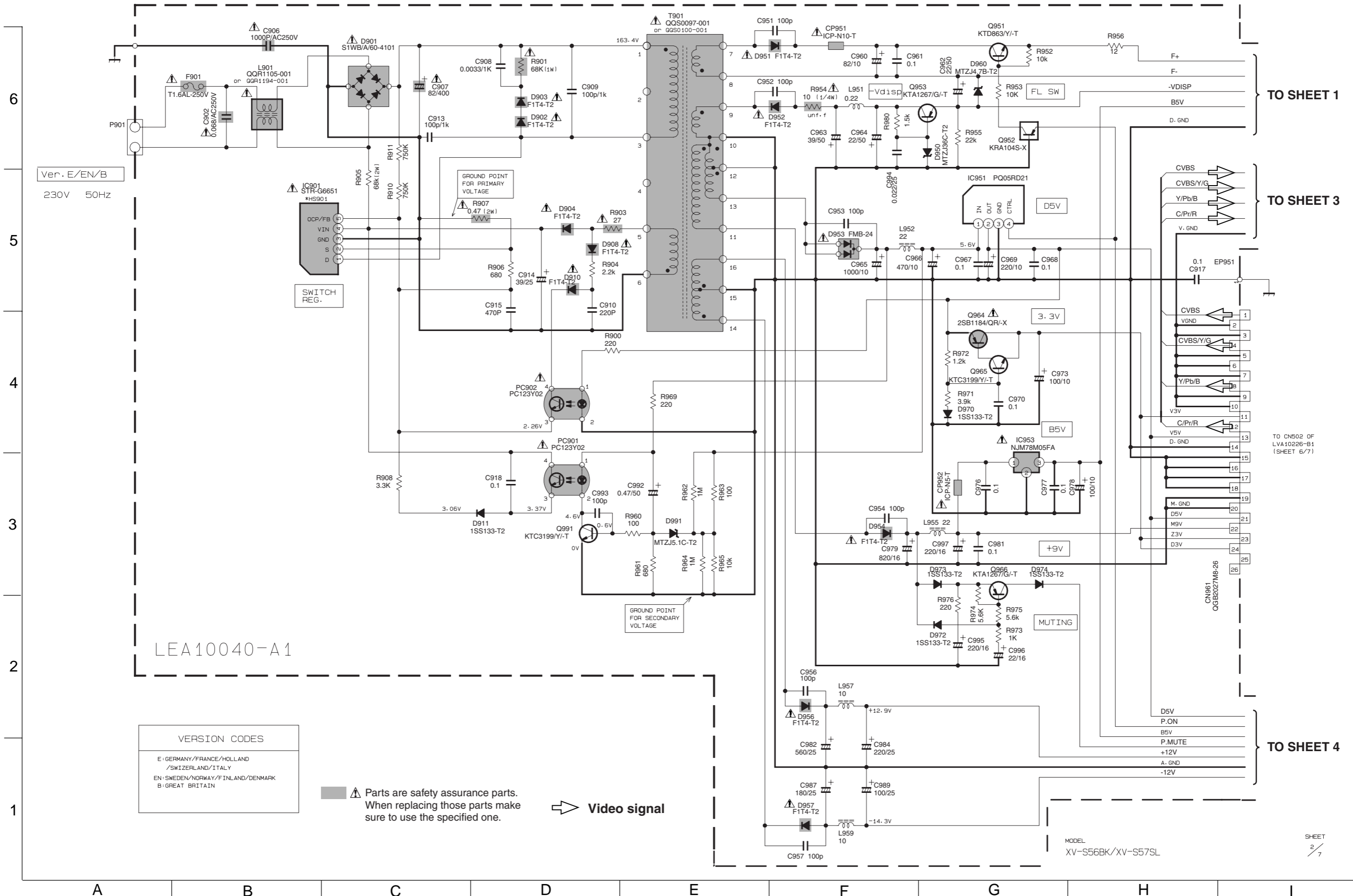


Standard schematic diagrams

FL Display & operation switch section



Power supply section



Ver. E/EN/B
230V 50Hz

LEA10040-A1

VERSION CODES	
E	GERMANY/France/HOLLAND /SWITZERLAND/ITALY
EN	SWEDEN/NORWAY/FINLAND/DENMARK
B	GREAT BRITAIN

▲ Parts are safety assurance parts. When replacing those parts make sure to use the specified one.

➡ Video signal

TO SHEET 1

TO SHEET 3

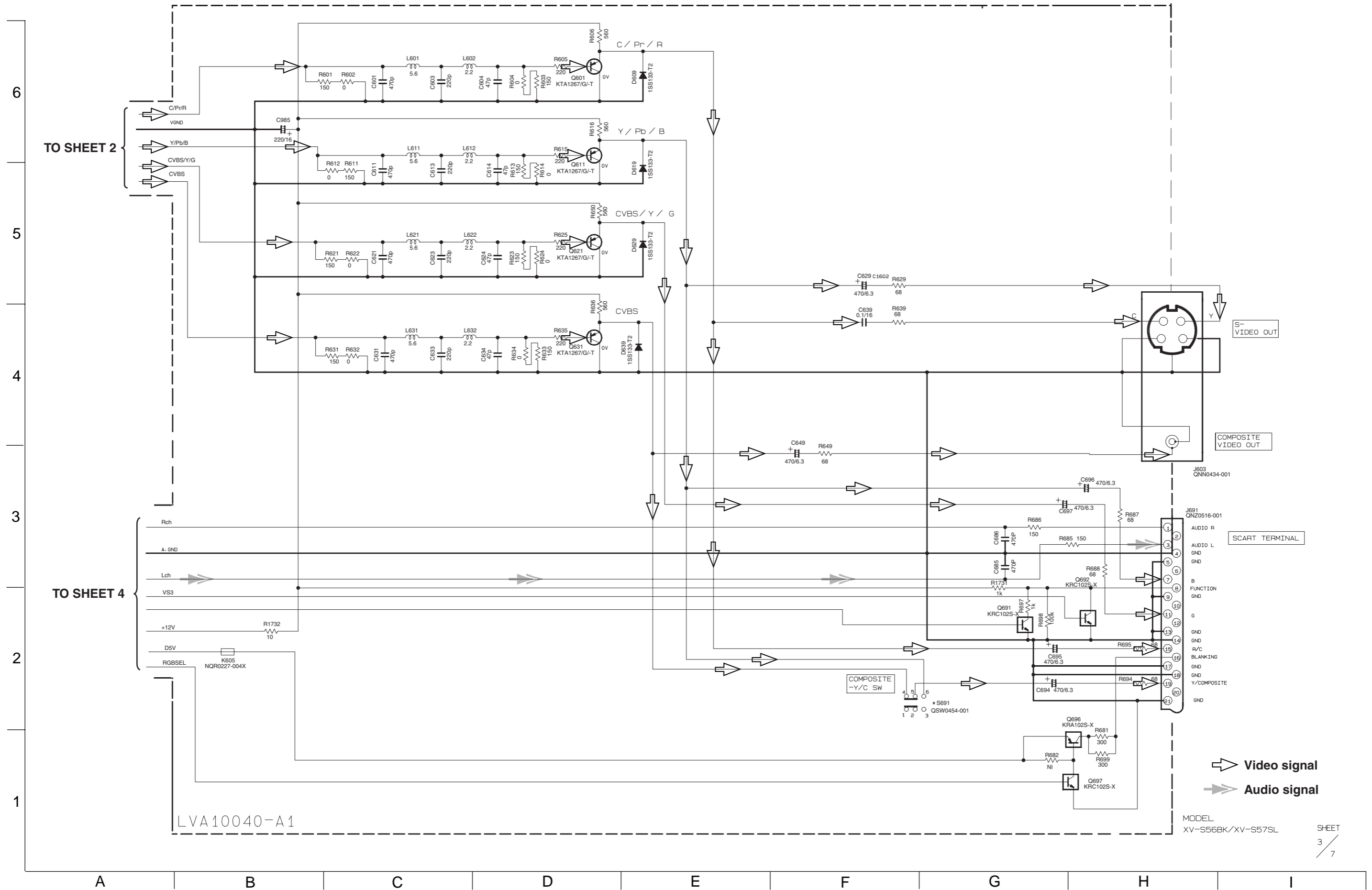
TO SHEET 4

TO CN502 OF LVA10226-B1 (SHEET 6/7)

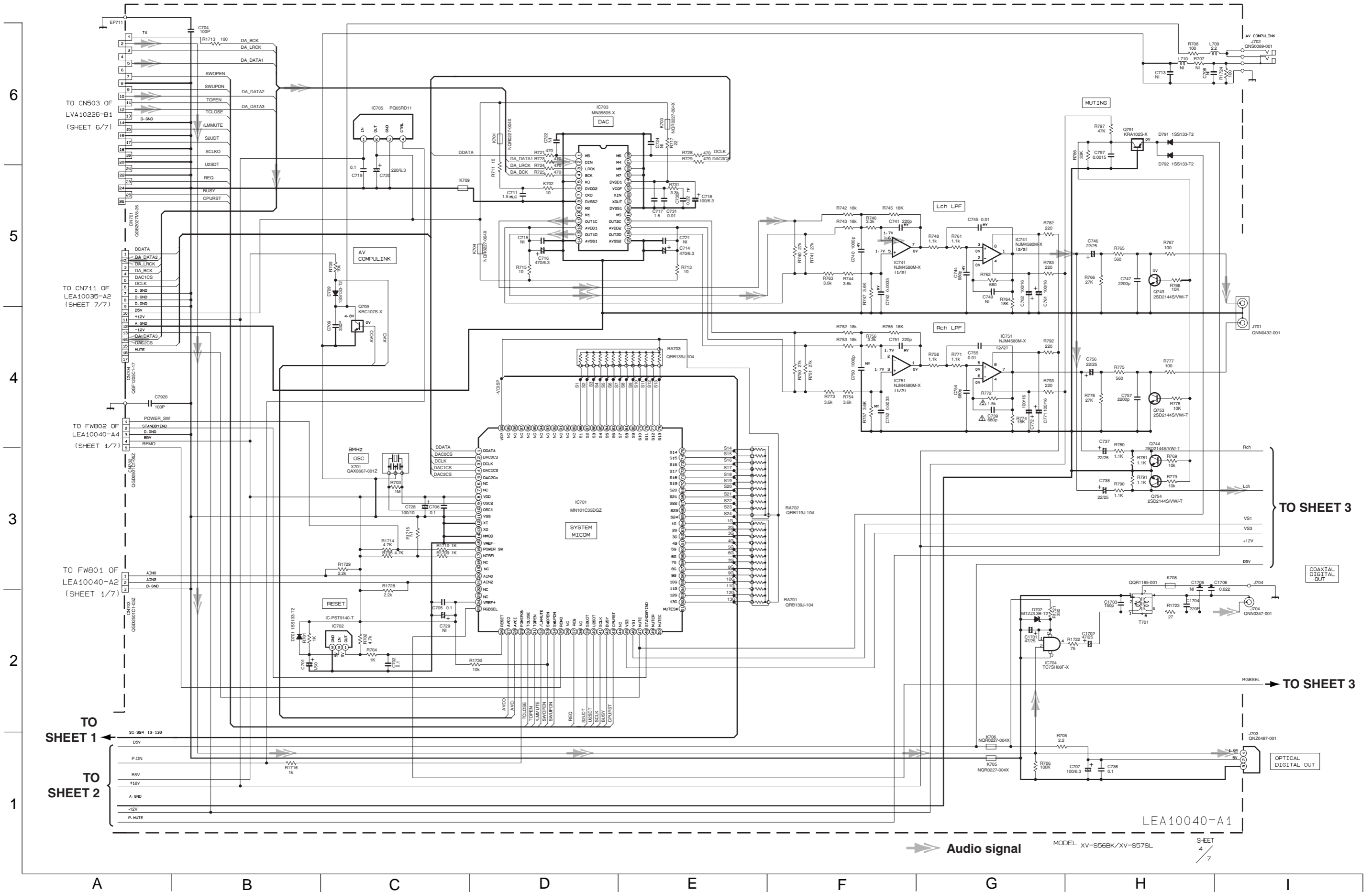
MODEL XV-S56BK/XV-S57SL

SHEET 2/7

Audio / Video signal output section



System control & audio signal DAC section

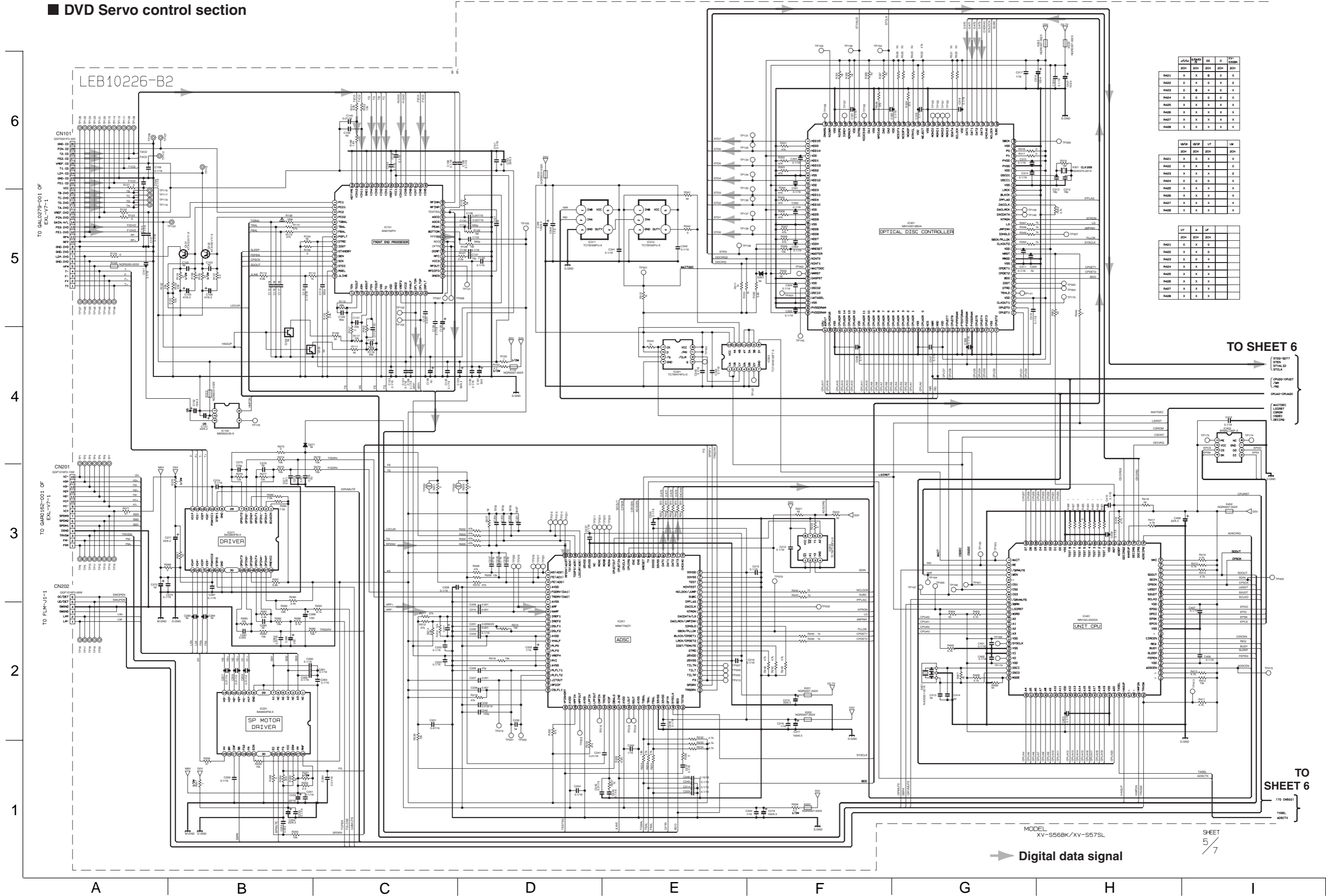


➔ Audio signal

MODEL xv-s56BK/xv-s57SL

SHEET 4 / 7

DVD Servo control section



IC101	TP101	TP102	TP103	TP104	TP105
R421	X	X	D	D	X
R422	0	X	X	0	X
R423	0	0	0	0	X
R424	0	0	0	0	X
R425	X	X	X	X	X
R426	X	X	X	X	X
R427	X	X	X	X	X
R428	X	X	X	X	X

IC102	TP101	TP102	TP103	TP104	TP105
R421	X	X	0	0	X
R422	0	X	X	0	X
R423	X	X	X	0	X
R424	0	0	0	0	X
R425	X	X	X	X	X
R426	X	X	X	X	X
R427	X	X	X	X	X
R428	X	X	X	X	X

IC103	TP101	TP102	TP103	TP104	TP105
R421	0	X	0	0	X
R422	X	X	0	0	X
R423	0	0	X	X	X
R424	X	X	X	X	X
R425	X	X	X	X	X
R426	X	X	X	X	X
R427	X	X	X	X	X
R428	X	X	X	X	X

TO SHEET 6

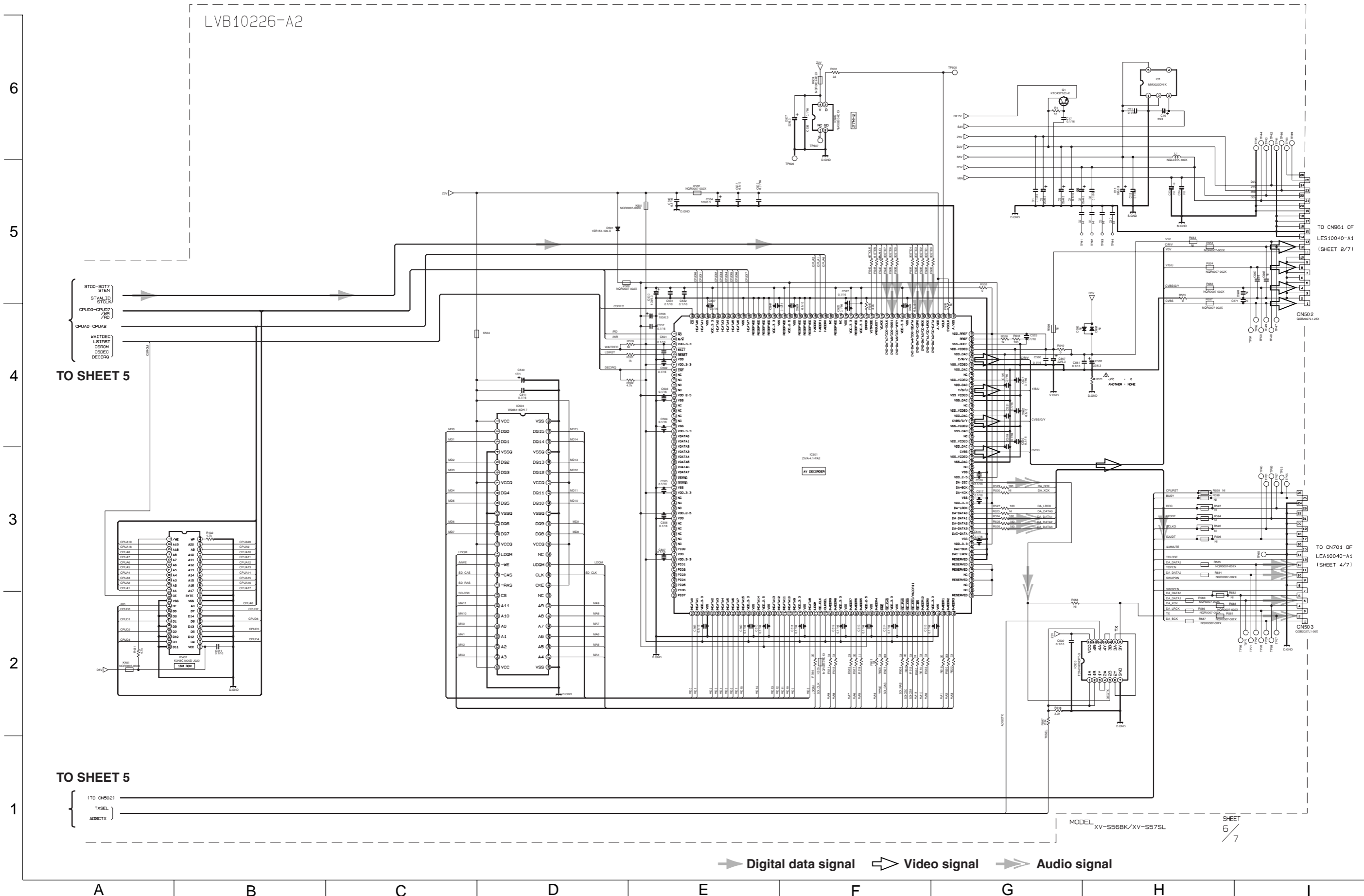
TO SHEET 6

MODEL XV-S56BK/XV-S57SL

SHEET 5/7

Digital data signal

AV Decoder section



TO SHEET 5

TO SHEET 5

TO CN951 OF
LES10040-A1
(SHEET 2/7)

TO CN701 OF
LEA10040-A1
(SHEET 4/7)

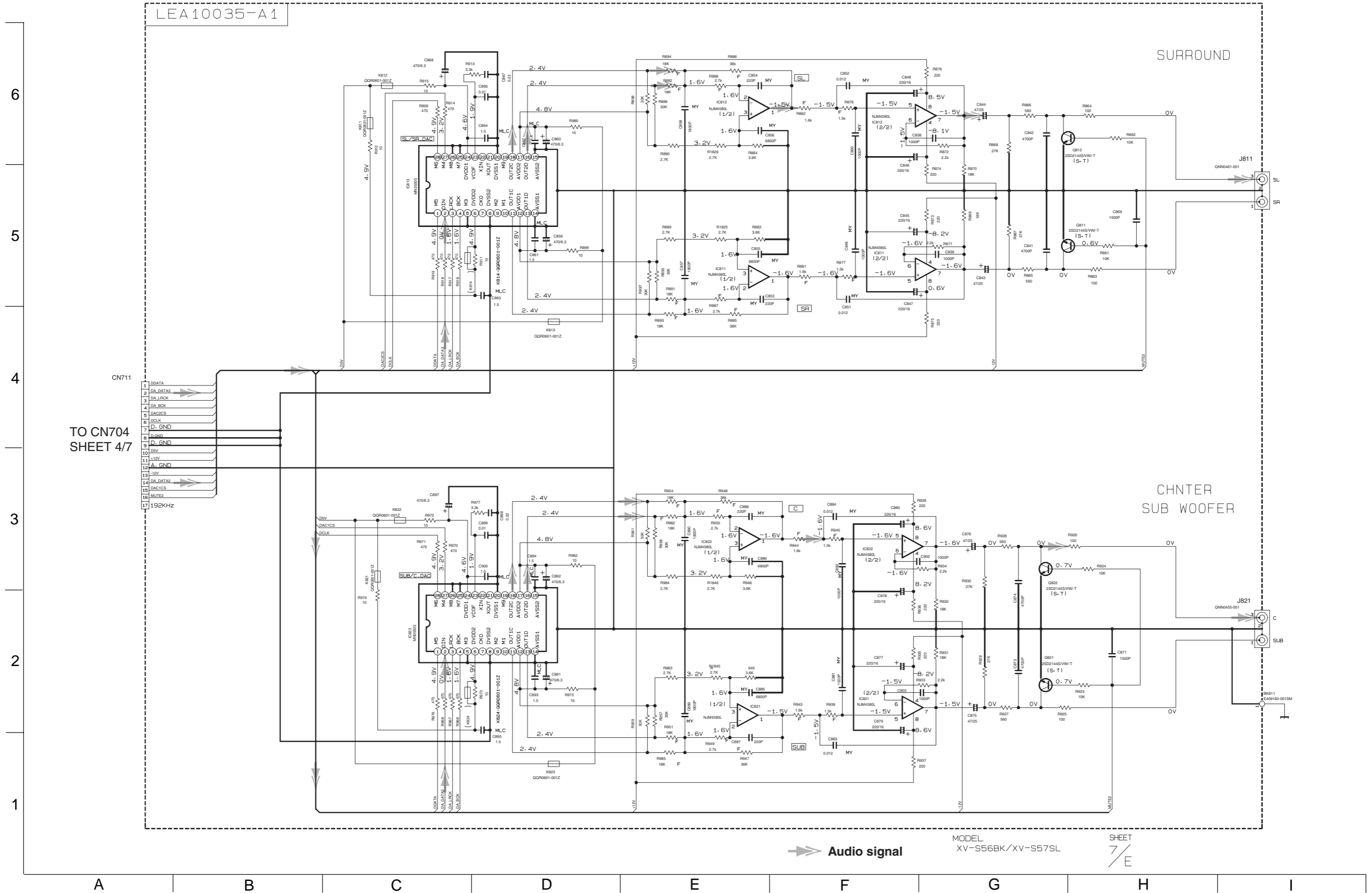
MODEL XV-S56BK/XV-S57SL

SHEET
6
/ 7

→ Digital data signal → Video signal → Audio signal

A B C D E F G H I

Surround audio signal output section



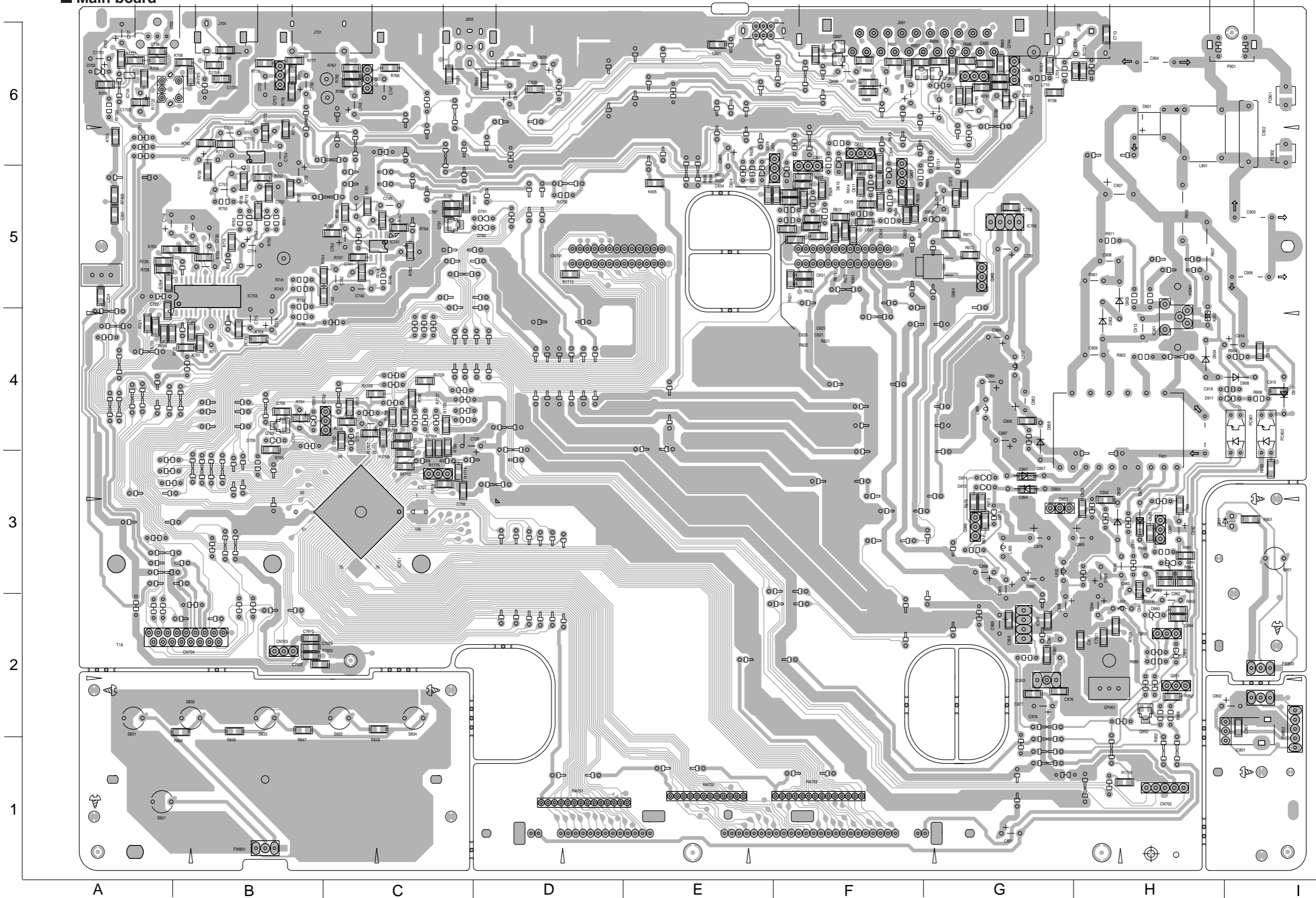
➔➔ Audio signal

MODEL XV-S56BK/XV-S57SL

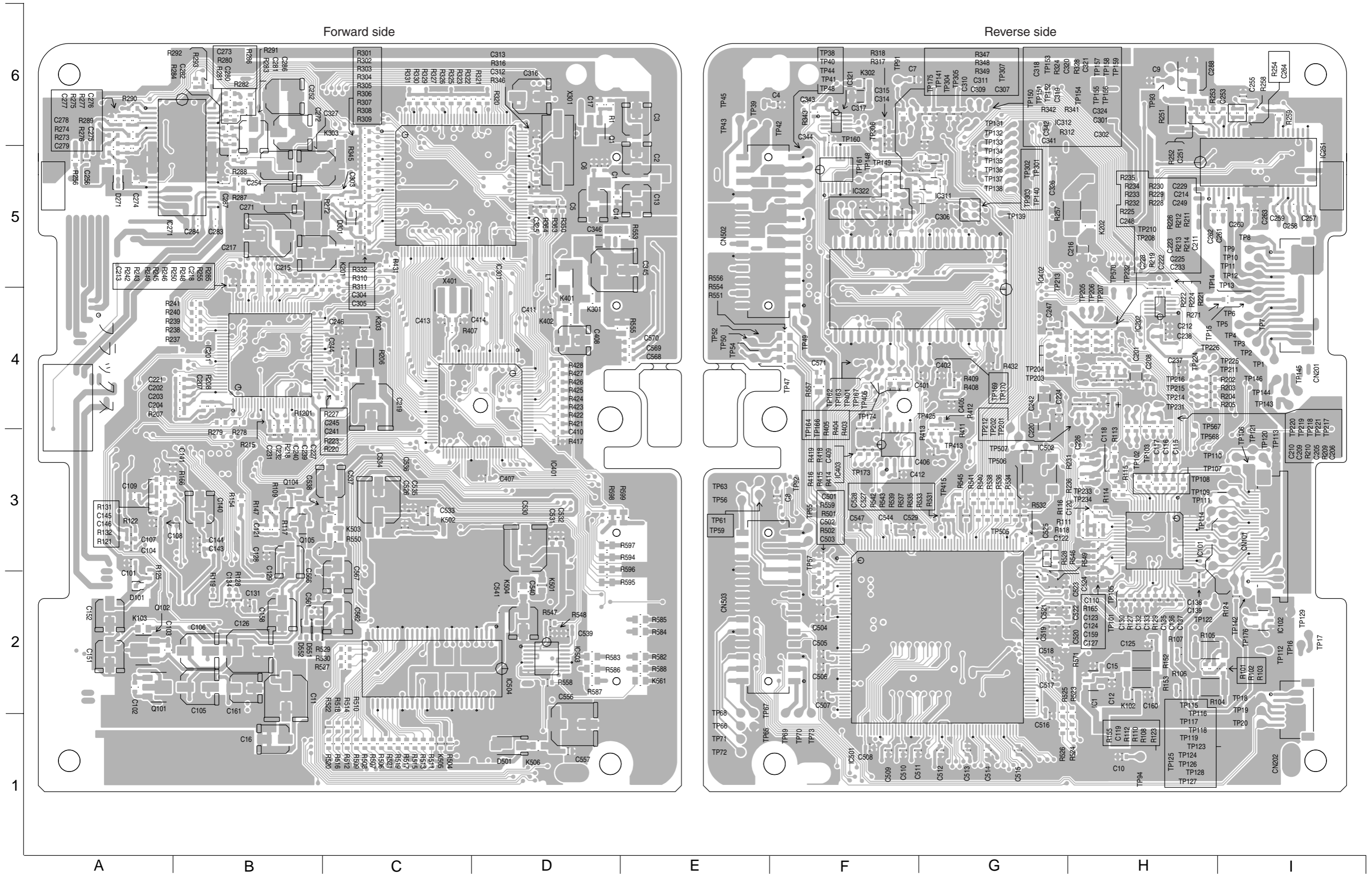
SHEET 7/E

Printed circuit boards

■ Main board



DVD Servo control board



■ Surround audio board

